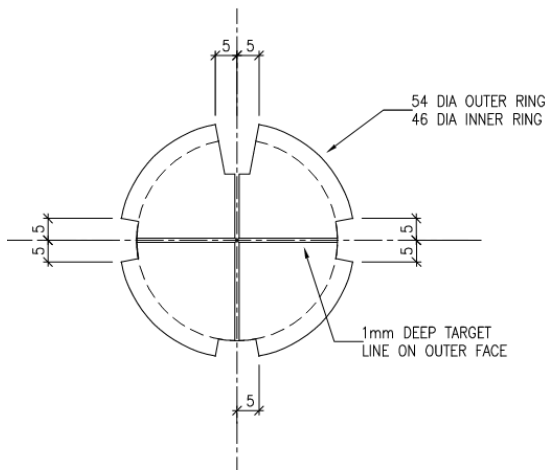
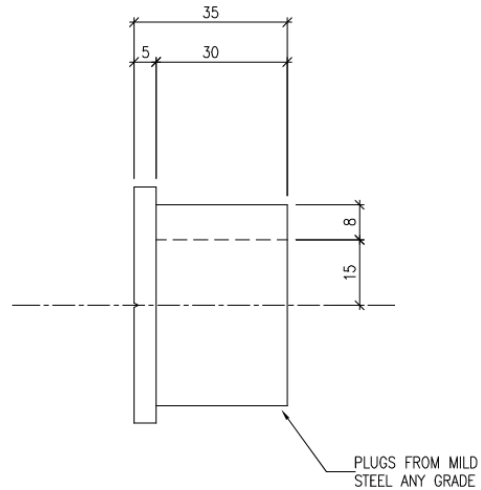


Survey Plugs

Surveying holes in concrete walls is never an easy task especially when a high degree of accuracy is required and the holes are formed using steel tubes. To help aid the survey team special machined survey plugs were produced which could be installed quickly and provide high accuracy targets.



FRONT VIEW
SCALE 1:1



2 No 46 DIA PLUGS REQUIRED AS DRAWN
SCALE 1:1



Key Points

- The steel tubes cast in the wall have a seam weld which needed to be avoided.
- Steel Tolerance are such that a snug fit was achieved by adding a few layers of insulation tape to the plug shaft.
- A 10mm groove was added to the plug shaft to allow it to be installed to clear the seam weld.
- Additional Grooves were provided to allow easy removal with a flat head screwdriver.
- Additional Yellow targets were fixed to the plugs to offer better visibility.

For More Information Contact Chris Achilles – (Severfield N&I) 01204 558 393