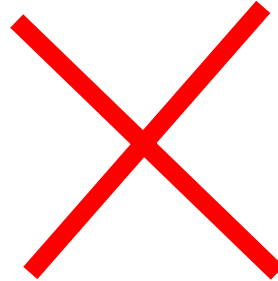
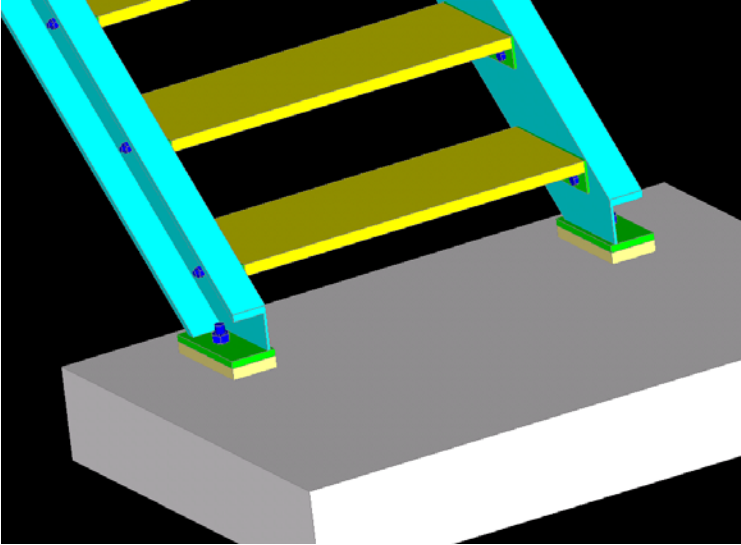
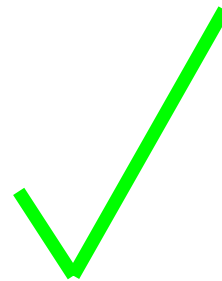
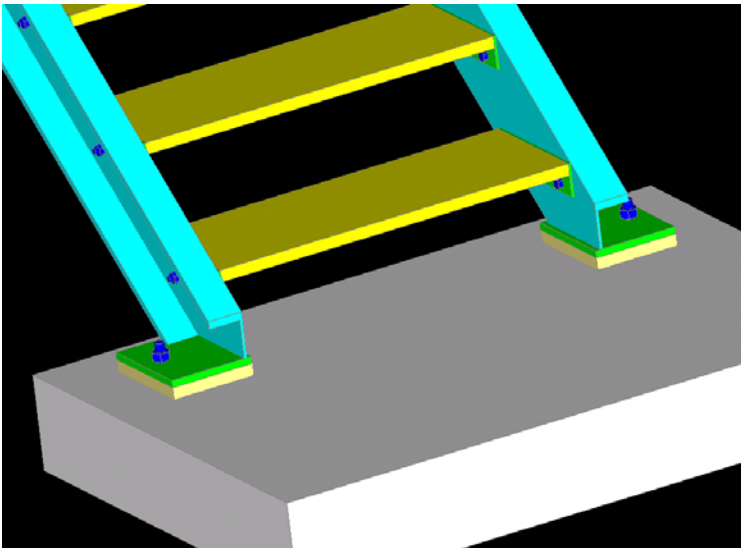


Staircase Base Fixings

This is so simple and yet it consistently crops up on various projects and is a major frustration to erectors - Staircase Base Plates and drilling for the holding down bolts.



An example of a Bad Base Detail – Access for drilling is restricted



A Good example of a Base Detail – Clear access to bolts.

Key Points:-

1. Minimum clearance required for drilling is 50mm.
2. If extended plates are not allowed then a notch should be provided in the top flange to allow clear access for drilling.
3. If extended plates or notches are not allowed then conventional HD bolts should be provided to give the necessary erection tolerance.
4. Principles apply to door posts and other items fixing to a slab.

For further information contact Chris Achilles (Peers) – Tel 01204 528393.